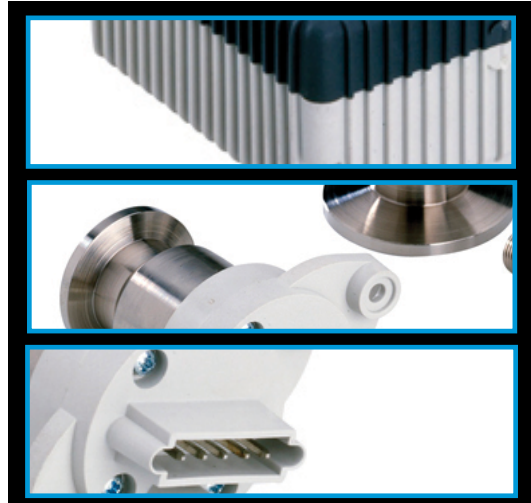


# APGX-H ACTIVE LINEAR CONVECTION GAUGE



Edwards Linear Convection Vacuum Gauge has a wide measuring range from 1333 to  $3 \times 10^{-4}$  mbar (1000 to  $2.3 \times 10^{-4}$  Torr). The use of convection technology ensures accuracy and sensitivity are maintained to the top of the range.

The gauge is compact and may be mounted in any orientation, simplifying installation where space is limited. The gauge incorporates a setpoint and two LEDs, which indicate setpoint and gauge status.

## Features and Benefits

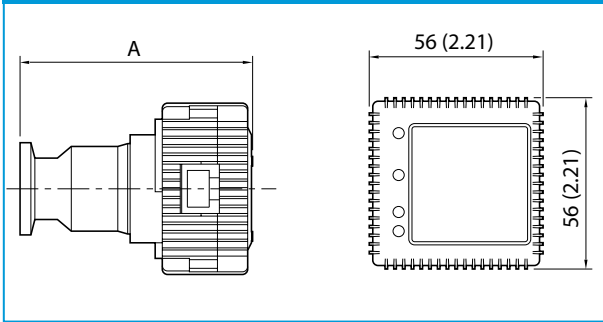
- Wide measuring range 1333 to  $3 \times 10^{-4}$  mbar (1000 to  $2.3 \times 10^{-4}$  Torr).
- Use of convection technology ensures consistent measuring accuracy (typically  $\pm 15\%$ ) and repeatability ( $\pm 5\%$ ) to top of range.
- Reduced cost of ownership.
- Replaceable tubes are available.
- CSA, C/US Approved.

## Product Range

### APGX-H

- APGX-H

## APGX-H Dimension



A

NW16 Al	75 mm/2.95"
NW16 St St	75 mm/2.95"
NW25 St St	75 mm/2.95"
1/8 inch NPT St St	87 mm/3.42"

## Technical Data

APGX-H	
Pressure range	1333 to $3 \times 10^{-4}$ mbar (1000 to $2.3 \times 10^{-4}$ Torr)
Power supply	14.5 to 30 V d.c.
Power consumption	1.5 W maximum
Accuracy	$\pm 15\%$ of reading $\pm 3 \times 10^{-4}$ mbar
Repeatability	$\pm 5\%$ of reading
Response time	< 100 ms
Maximum overpressure	10 bar absolute (145 psia)
Adjustments	Set vacuum and set atmosphere. To allow for variations in barometric pressure, atmosphere may be set in the range 700 to 1100 mbar (525 to 825 Torr).
Setpoints† (open collector transistor)	Range of setpoint 1.8 to 9.3V Rating 30 V d.c. 100 mA Fixed hysteresis (1/2 decade) 500 mV

† The setpoint output will be turned off if an error is detected. For further information, please contact Edwards.

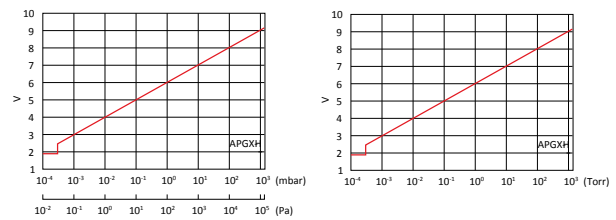
## APGX-H Active Linear Convection Gauge

### APGX-H



Product description	Order no:
APGX-H-NW16, aluminium	D02391000
APGX-H-NW25 ST/ST	D02392000
APGX-H-NW16 ST/ST	D02395000
APGX-H 1/8" NPT ST/ST	D02396000
APGX-H-NW16 Aluminium, Certified	D0239100C
APGX-H-NW16 ST/ST, Certified	D0239500C
APGX-H-NW25 ST/ST, Certified	D0239200C
APGX-H 1/8" NPT ST/ST, Certified	D0239600C

## APGX-H Performance Curve



## Active Gauge Cable

Product description	Order no:
0.5 m Active Gauge Cable	D40001005
1 m Active Gauge Cable	D40001010
3 m Active Gauge Cable	D40001030
5 m Active Gauge Cable	D40001050
10 m Active Gauge Cable	D40001100
15 m Active Gauge Cable	D40001150
25 m Active Gauge Cable	D40001250
50 m Active Gauge Cable	D40001500
100 m Active Gauge Cable	D40001999

## Filter pack 5

Product description	Order no:
APGX-H Filter Pack 5 (not NPT version)	D02391805

## Electronics module

Product description	Order no:
APGX-H Electronics Module	D02391800

## Tube

Product description	Order no:
NW16 AL tube APGX-H spare	D02391801
NW16 STST tube APGX-H	D02395801
NW25 STS tube APGX-H spare	D02392801
Spare tube 1/8" NPT ST/ST	D02396801

